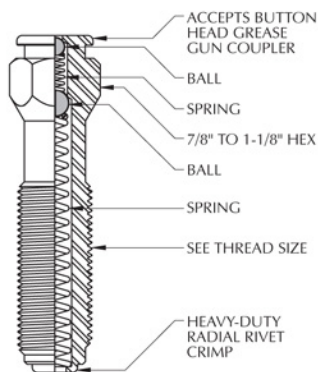


# Combination Lube/Sealant Fittings

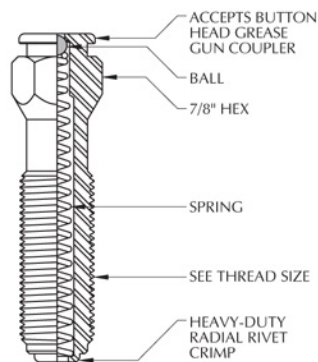
## Double Ball Check



THREAD SIZE	MATERIAL	PART NO.	PLATING	HEAT TREATMENT	BALL	SPRING	OAL
3/4" NPSM	1215	CLF34	Zinc-Cobalt	---	**CA	302 SS	4-5/8"
	316 SS	CLF34-2	---	Annealed (NACE)	K-Monel®	Inconel X-750	4-5/8"
1/2" NPSM	1215	CLF12	Zinc-Cobalt	---	CA	302 SS	3-9/16"
	316 SS	CLF12-2	---	Annealed (NACE)	K-Monel®	Inconel X-750	3-9/16"
3/8" NPSM	1215	CLF38	Zinc-Cobalt	---	CA	302 SS	3-1/4"
	316 SS	CLF38-2	---	Annealed (NACE)	K-Monel®	Inconel X-750	3-1/4"
1/4" NPSM	1215	CLF14	Zinc-Cobalt	---	CA	302 SS	2-7/16"
	316 SS	CLF14-2	---	Annealed (NACE)	K-Monel®	Inconel X-750	2-7/16"
7/8" - 9 UNC	1215	CLF78-9	Zinc-Cobalt	---	CA	302 SS	3-1/8"
3/4" - 10 UNC	1215	CLF34-10	Zinc-Cobalt	---	CA	302 SS	3-1/16"
5/8" - 11 UNC	1215	CLF58-11	Zinc-Cobalt	---	CA	302 SS	2-7/8"

*For Service to 10,000 PSI*

## Single Ball Check



THREAD SIZE	MATERIAL	PART NO.	PLATING	HEAT TREATMENT	BALL	SPRING	OAL
3/4" NPSM	1215	CLF34-S	Zinc-Cobalt	---	**CA	302 SS	4-3/4"
	316 SS	CLF34-S-2	---	Annealed (NACE)	K-Monel®	Inconel X-750	4-3/4"
1/2" NPSM	1215	CLF12-S	Zinc-Cobalt	---	CA	302 SS	3-5/8"
	316 SS	CLF12-S-2	---	Annealed (NACE)	K-Monel®	Inconel X-750	3-5/8"
3/8" NPSM	1215	CLF38-S	Zinc-Cobalt	---	CA	302 SS	3-1/32"
	316 SS	CLF38-S-2	---	Annealed (NACE)	K-Monel®	Inconel X-750	3-1/32"
1/4" NPSM	1215	CLF14-S	Zinc-Cobalt	---	CA	302 SS	2-3/8"
	316 SS	CLF14-S-2	---	Annealed (NACE)	K-Monel®	Inconel X-750	2-3/8"
1" - 10 UNC	1215	CLF1-10	Zinc-Cobalt	---	CA	302 SS	4-5/8"
3/4" - 10 UNC	1215	CLF34-10-S	Zinc-Cobalt	---	CA	302 SS	3-9/32"
1/2" - 13 UNC	1215	CLF12-13-S	Zinc-Cobalt	---	CA	302 SS	2-1/8"
3/8" - 16 UNC	1215	CLF38-16-S	Zinc-Cobalt	---	CA	302 SS	1-1/2"

*For Service to 10,000 PSI*