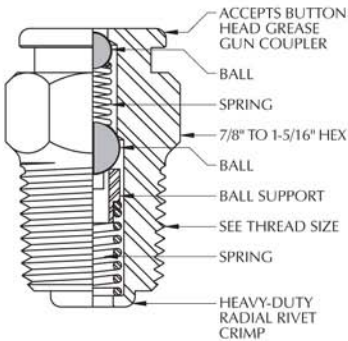


Giant Button Head Fittings

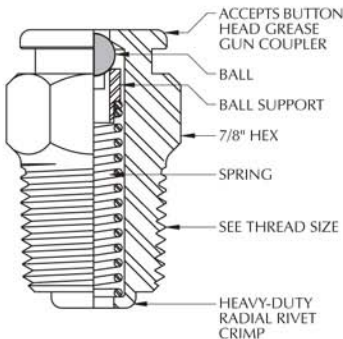
Double Ball Check



THREAD SIZE	MATERIAL	PART NO.	PLATING	HEAT TREATMENT	BALL	SPRING
1" NPT	1215	GBH1	Zinc-Cobalt	---	**CA	302 SS
	316 SS	GBH1-2	---	Annealed (NACE)	K-Monel®	Inconel X-750
	4140	GBH1-3	Zinc-Cobalt	Rc 22 Max (NACE)		X-750
3/4" NPT	1215	GBH34	Zinc-Cobalt	---	CA	302 SS
	316 SS	GBH34-2	---	Annealed (NACE)	K-Monel®	Inconel X-750
	4140	GBH34-3	Zinc-Cobalt	Rc 22 Max (NACE)		X-750
1/2" NPT	1215	GBH12	Zinc-Cobalt	---	CA	302 SS
	316 SS	GBH12-2	---	Annealed (NACE)	K-Monel®	Inconel X-750
	4140	GBH12-3	Zinc-Cobalt	Rc 22 Max (NACE)		X-750
3/8" NPT	1215	GBH38	Zinc-Cobalt	---	CA	302 SS
	316 SS	GBH38-2	---	Annealed (NACE)	K-Monel®	Inconel X-750
	4140	GBH38-3	Zinc-Cobalt	Rc 22 Max (NACE)		X-750
1/4" NPT	1215	GBH14	Zinc-Cobalt	---	CA	302 SS
	316 SS	GBH14-2	---	Annealed (NACE)	K-Monel®	Inconel X-750
	4140	GBH14-3	Zinc-Cobalt	Rc 22 Max (NACE)		X-750
3/4" - 10 UNC	1215	GBH34-10	Zinc-Cobalt	---	CA	302 SS
5/8" - 11 UNC	1215	GBH58-11	Zinc-Cobalt	---	CA	302 SS

For Service to 10,000 PSI

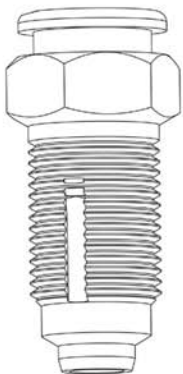
Single Ball Check



THREAD SIZE	MATERIAL	PART NO.	PLATING	HEAT TREATMENT	BALL	SPRING
1/2" NPT	1215	GBH12-S	Zinc-Cobalt	---	**CA	302 SS
	316 SS	GBH12-S-2	---	Annealed (NACE)	K-Monel®	Inconel X-750
	4140	GBH12-S-3	Zinc-Cobalt	Rc 22 Max (NACE)		X-750
3/8" NPT	1215	GBH38-S	Zinc-Cobalt	---	CA	302 SS
	316 SS	GBH38-S-2	---	Annealed (NACE)	K-Monel®	Inconel X-750
	4140	GBH38-S-3	Zinc-Cobalt	Rc 22 Max (NACE)		X-750
1/4" NPT	1215	GBH14-S	Zinc-Cobalt	---	CA	302 SS
	316 SS	GBH14-S-2	---	Annealed (NACE)	K-Monel®	Inconel X-750
	4140	GBH14-S-3	Zinc-Cobalt	Rc 22 Max (NACE)		X-750
1/8" NPT	1215	GBH18-S	Zinc-Cobalt	---	CA	302 SS
	316 SS	GBH18-S-2	---	Annealed (NACE)	K-Monel®	Inconel X-750
	4140	GBH18-S-3	Zinc-Cobalt	Rc 22 Max (NACE)		X-750
3/8" - 16 UNC	1215	GBH38-16-S	Zinc-Cobalt	---	CA	302 SS

For Service to 10,000 PSI

MSI Style Double Ball Check



THREAD SIZE	MATERIAL	PART NO.	PLATING	HEAT TREATMENT	BALL	SPRING
3/4"-16	4140 NACE ZN/CO	GBH3416-RL	Zinc-Cobalt	Rc 22 Max (NACE)	K-Monel®	Inconel X-750