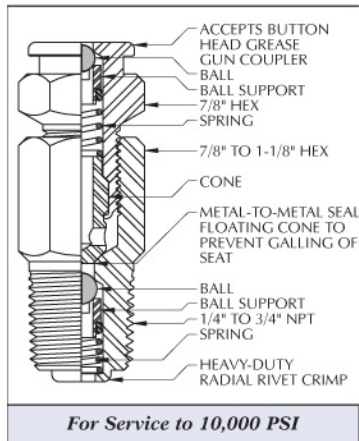


# Lock Seal Fittings

## Double Ball Check - 2 Piece Metal-to-Metal Seal with Floating Cone to Prevent Galling of Seat

NOTE: This fitting is available as *Free Flow* style.



THREAD SIZE	MATERIAL	PART NO.	PLATING	HEAT TREATMENT	BALL	SPRING
3/4" NPT	1215	LS34	Zinc-Cobalt	---	**CA	302 SS
	316 SS	LS34-2	---	Annealed (NACE)	K-Monel®	Inconel X-750
1/2" NPT	1215	LS12	Zinc-Cobalt	---	CA	302 SS
	316 SS	LS12-2	---	Annealed (NACE)	K-Monel®	Inconel X-750
	4140	LS12-3	Zinc-Cobalt	Rc 22 Max (NACE)		
3/8" NPT	1215	LS38	Zinc-Cobalt	---	CA	302 SS
	316 SS	LS38-2	---	Annealed (NACE)	K-Monel®	Inconel X-750
	4140	LS38-3	Zinc-Cobalt	Rc 22 Max (NACE)		
1/4" NPT	1215	LS14	Zinc-Cobalt	---	CA	302 SS
	316 SS	LS14-2	---	Annealed (NACE)	K-Monel®	Inconel X-750
	4140	LS14-3	Zinc-Cobalt	Rc 22 Max (NACE)		

\*\*CA=AISI 52100 Chrome Alloy